

DRAWING MADE IN THIRD ANGLE PROJECTION

3

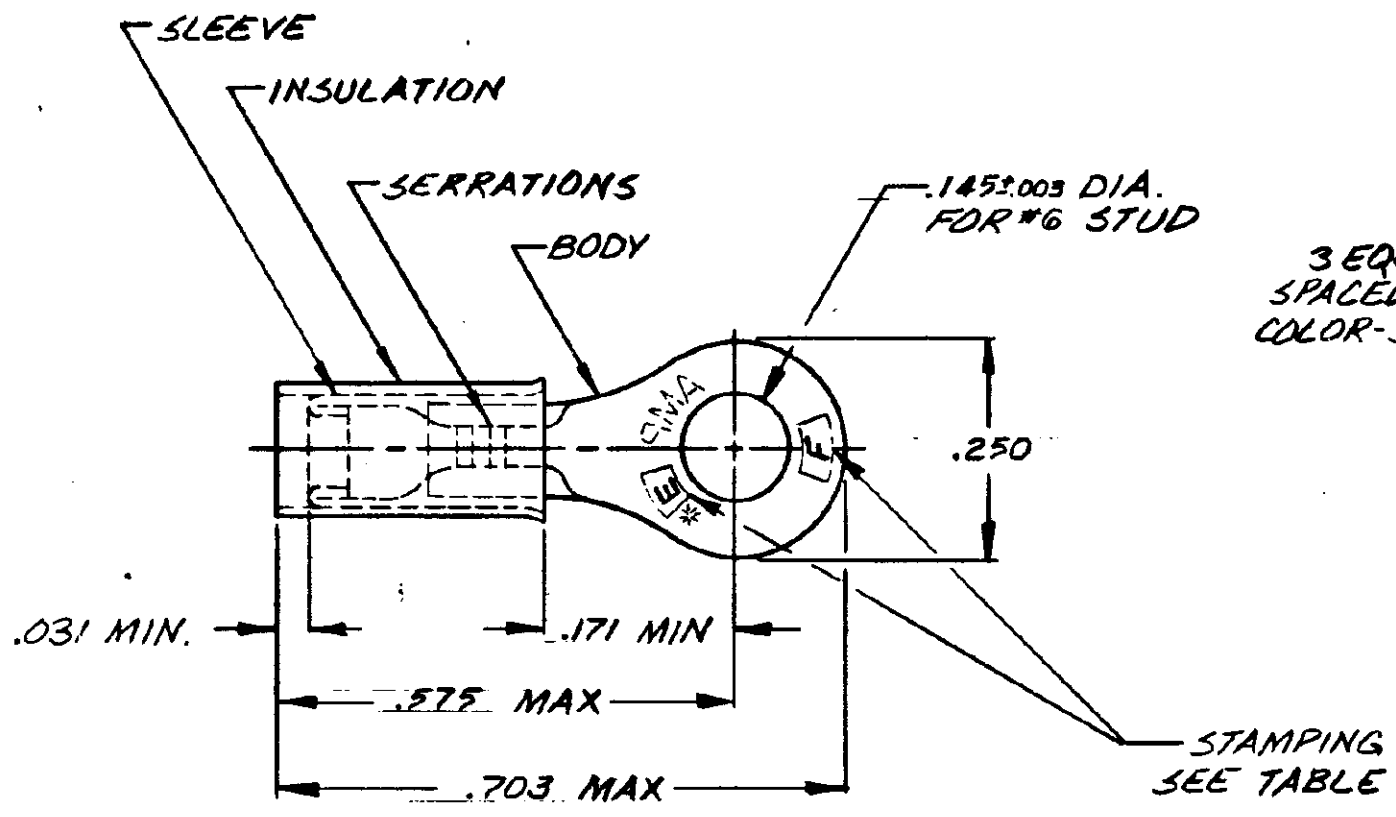
2

1

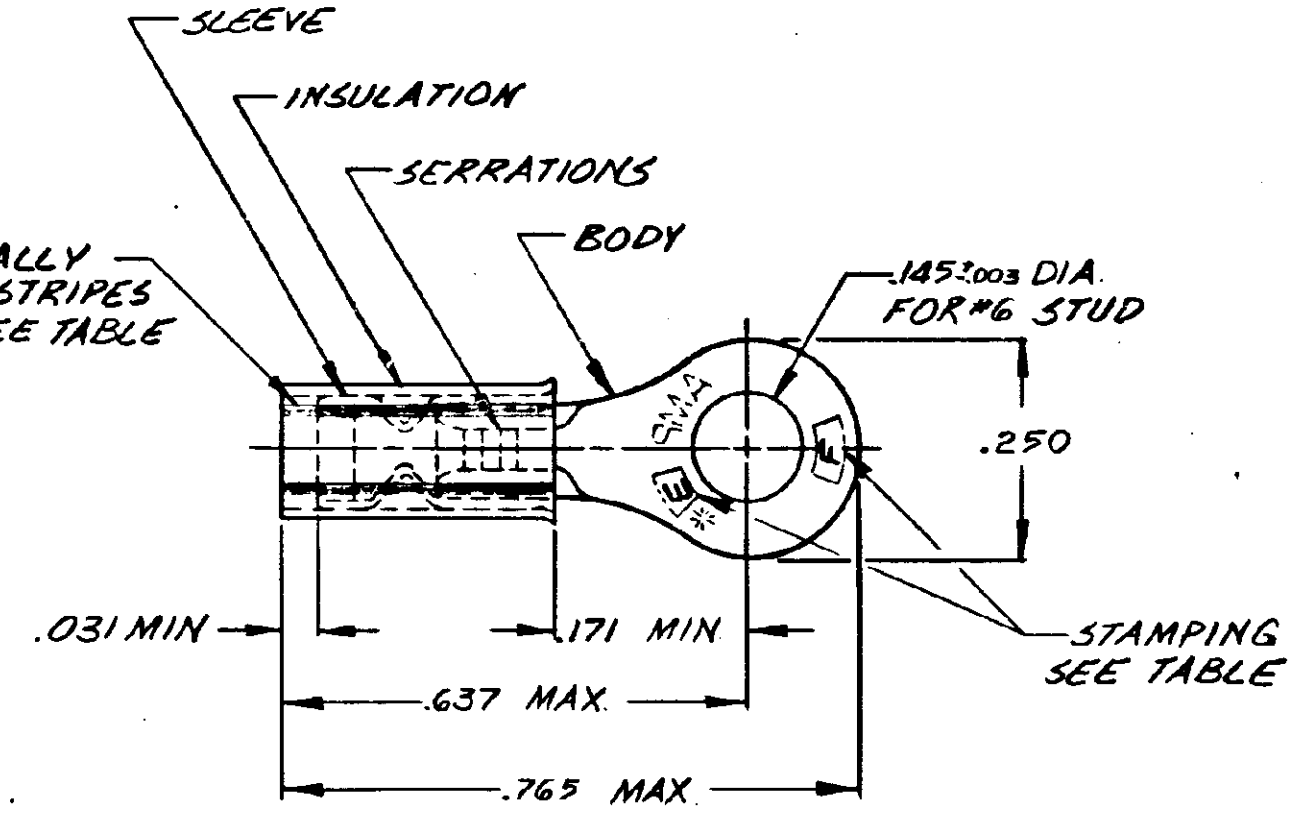
LOC DIST
G 14

THIS DRAWING IS UNPUBLISHED. RELEASED FOR PUBLICATION 19
 © COPYRIGHT 19 BY AMP INCORPORATED, HARRISBURG, PA. ALL INTERNATIONAL RIGHTS RESERVED. AMP PRODUCTS MAY BE COVERED BY U.S. AND FOREIGN PATENTS AND/OR PATENTS PENDING.

REVISIONS						
P	F	ZONE	LTR	DESCRIPTION	DATE	APPROVED
✓	✓		J	REVISED & REDRAWN PER G-1423 F	11/80	Bjm
✓	✓		K	P85-0287 F-0288, WAS SIZE B	11/87	SS
✓	✓		L	OBSOLETE 2--7 PER G-2393	4-27-88	ms/gg
			M	OBSOLETE 2--8 PER G-4261	3-30-93	TO/ml
			N	REV/0720-0056-93	7-25-96	ME/TM
				REACT 2--1/0120-0017-96		



STYLE A



STYLE B
INSULATION RESTRICTING

- 1 TONGUE MATERIAL THK. - .031±.002
- 2 TIN PL. MIL-T-10727
- 3 NICKEL PL. QQ-N-290

PART NO	PACKAGE TYPE	QTY	STYLE	E	F	WIRE INS. DIA.	STRIPE COLOR
				STAMPING			
2-320561-5	ON TAPE, REEL	5000	B	16	—	.063-.130	BLUE
9-320561-1	LOOSE PC. BOX	100	B	16	2 1/2	.063-.130	BLUE
8-320561-1	LOOSE PC. BOX	100	A	16-14	2 1/2-4	.105-.150	—
2-320561-8	ON TAPE, SM. BOX	100	A	16-14	2 1/2-4	.105-.150	—
2-320561-7	ON TAPE, LG. BOX	1000	A	16-14	2 1/2-4	.105-.150	—
2-320561-4	LOOSE PIECE	—	B	14	4	.078-.130	GREEN
2-320561-3	LOOSE PIECE	—	B	16	2 1/2	.063-.130	BLUE
2-320561-2	ON TAPE, REEL	5000	A	16-14	2 1/2-4	.105-.150	—
320561	LOOSE PIECE	—	A	16-14	2 1/2-4	.105-.150	—

WIRE SIZE	BODY FINISH	SLEEVE FINISH	MATERIAL	PART NO
16		3		2-320561-5
16-14		3		9-320561-1
16-14		3		8-320561-1
16-14		3		2-320561-8
16-14		3		2-320561-7
14		3		2-320561-4
16	TIN PL MIL-T-10727	3	BODY & SLEEVE: COPPER QQ-C-576	2-320561-3
16-14		3	INSULATION: NYLON TYPE I MILM-20693, COLOR: BLUE	2-320561-2
16-14		3		320561

UNLESS OTHERWISE SPECIFIED DIMENSIONS ARE IN INCHES. TOLERANCES ON: DECIMALS ±.008 ANGLES ±	CONTRACT NO	AMP INCORPORATED Harrisburg, Pa. 17105	
	DR P. Fortney / RFB-UTA CHK P. Muthalanga 1/6/80 APPD M. J. Loan Tran 01/07/86 APPD	NAME TERMINAL, PIDG, RING	
MATERIAL SEE TABLE	DSGN APPD	SIZE C	FSCM NO 00779
FINISH SEE TABLE	OTHER APPD	DRAWING NO 320561	
		SCALE NTS	SHEET —